



XPA Measurement Instructions

The purpose of this document is to ensure the required space is available in your boat's splashwell to install the Xtreme Power Assist (XPA).



NOTE

These measurements should be checked and confirmed before purchasing the XPA steering system.

The measurements and dimensions noted below are required to install the XPA on your boat.

Is there enough room in the splashwell for the XPA? Find the dimensions (A & B) of your splashwell. Check them against the minimum splashwell dimensions for full engine tilt for your engine and XPA.

Minimum motor well dimensions required for XPA outboard steering systems.

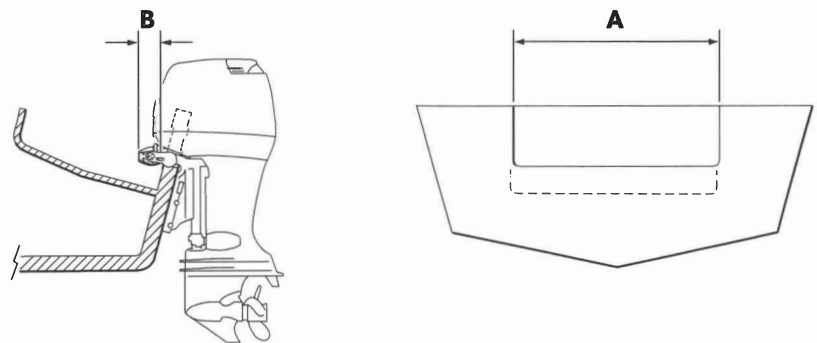


Figure 1.

Model No.	No. of engines	A	B
XPA 1012P	1	33" (838.20 mm)	3.25" (82.55 mm)

NOTES:

- a) Ensure there is no interference between the XPA actuator rod and the splashwell boot or engine controls and cables.
- b) Dimensional restrictions also apply to external motor mount brackets.
- c) Ensure dimension 'A' is maintained through the full trim/tilt range.
- d) Dimension 'B' is measured from the engine mounting face to the front of the XPA unit.